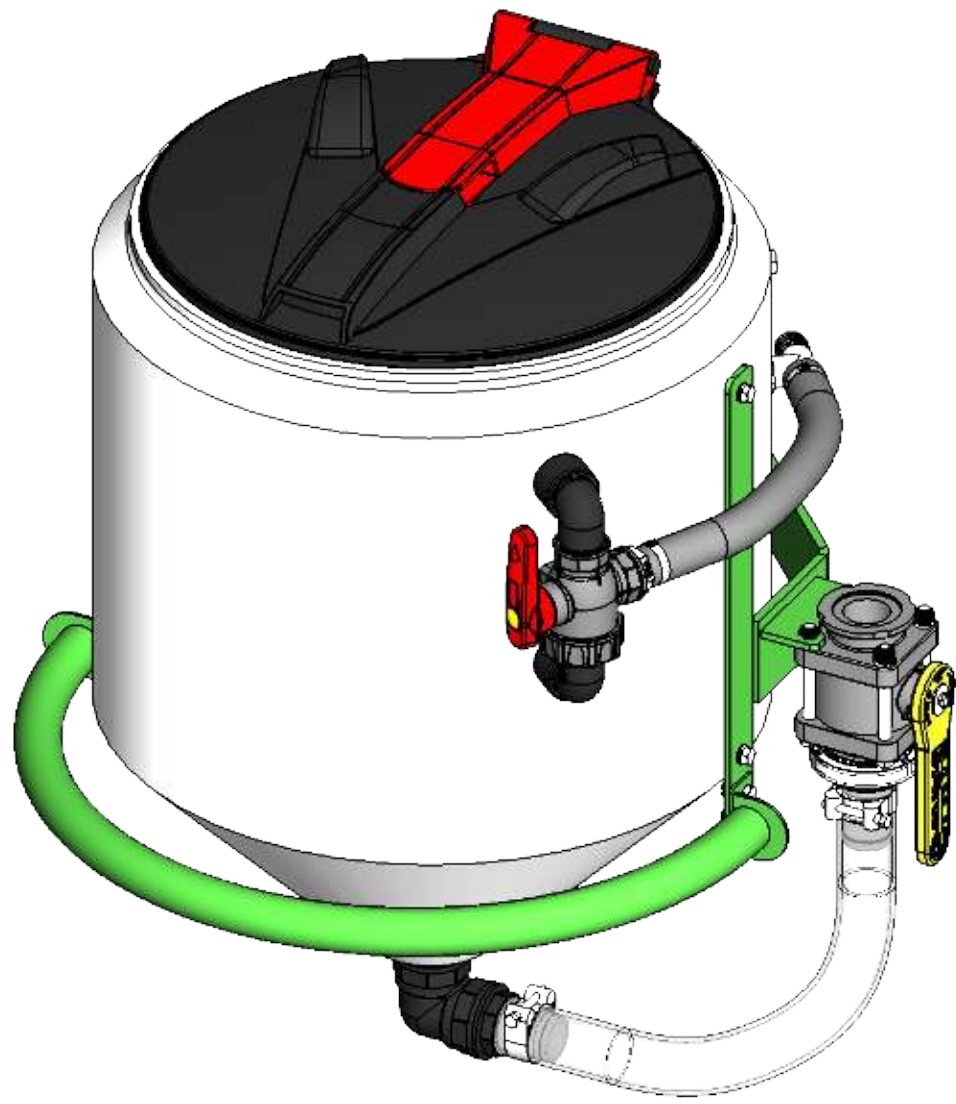


6 5 4 3 2 1

D
C
B
A

D
C
B
A



TSI Beacon 
 TIME SAVER INDUSTRIES

PO BOX 16, BEACON WA 6472
 WEBSITE: www.scudagcem.com.au
 E-MAIL: sales@scudagchem.com.au
 Mobile: 0428 861 119

THIS DRAWING AND ALL INFORMATION CONTAINED THEREON ARE THE EXCLUSIVE PROPERTY OF TSI BEACON.
 UNLESS SPECIFICALLY NOTED, THIS DRAWING AND ITEMS SHOWN ON THIS DRAWING ARE SUBJECT TO CHANGE AT ANY TIME.

MATERIAL:
 Material <not specified>
 WEIGHT: 20.2 kg

DESCRIPTION
 SCUD Tank 100 with Bracket and Handle

PART NUMBER
 ST100BH

REV

DO NOT SCALE DRAWING SHEET 1 OF 19

6 5 4 3 2 1