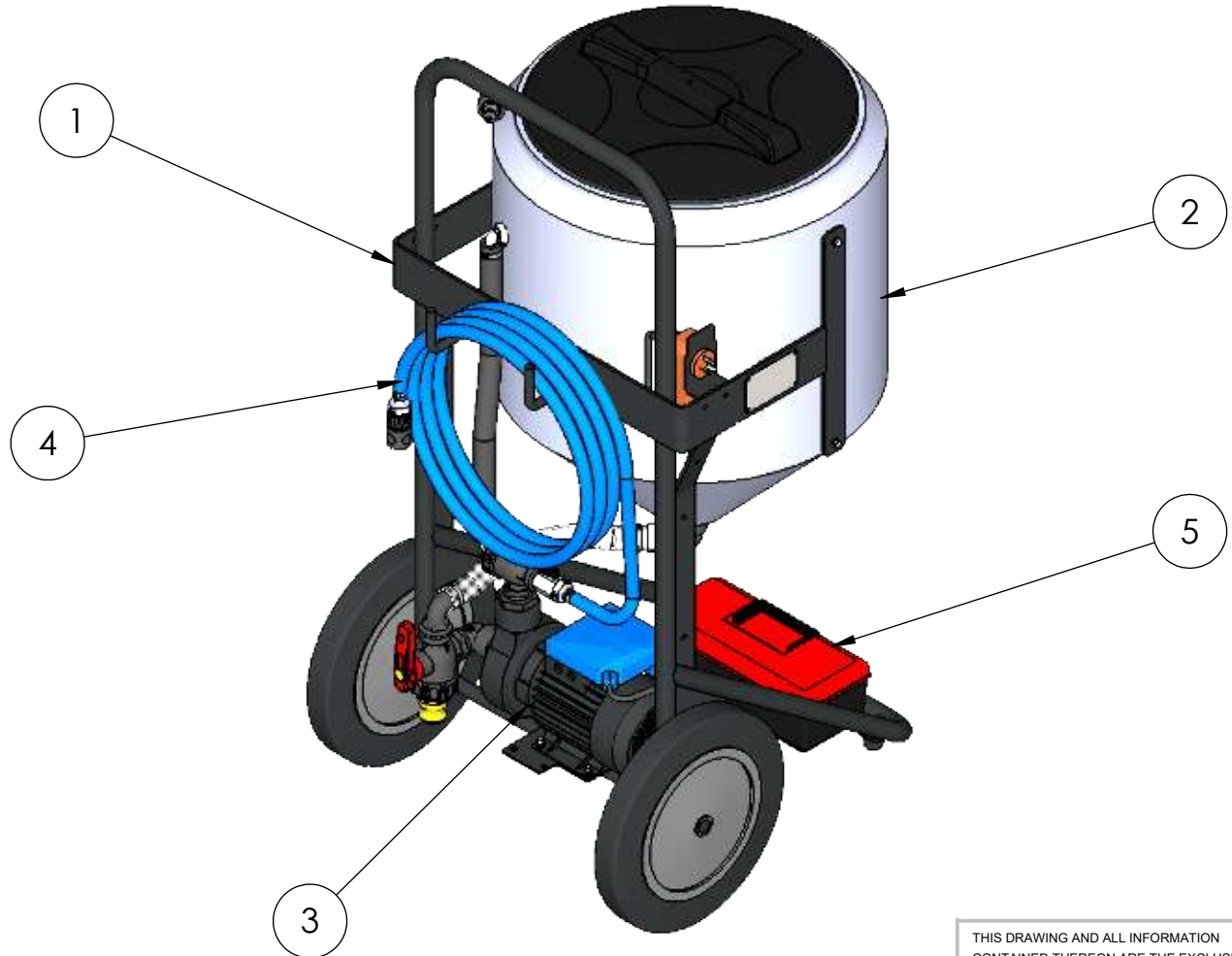


ITEM NO.	DESCRIPTION	PartNo	Default/QTY.
1	Innoculator Frame Assembly	I-FA	1
2	Innoculator 100L Tank Assembly	I-100Tank	1
3	Innoculator Electric Pump Assembly	I-EPA	1
4	12.5mm Multiflex Hose Assembly	MH-12.5	1
5	Mini Toolbox 290mm	F1H-120	1



THIS DRAWING AND ALL INFORMATION CONTAINED THEREON ARE THE EXCLUSIVE PROPERTY OF TSI BEACON.

UNLESS SPECIFICALLY NOTED, THIS DRAWING AND ITEMS SHOWN ON THIS DRAWING ARE SUBJECT TO CHANGE AT ANY TIME.

MATERIAL:
Material <not specified>

WEIGHT: 58.0 kg

TSI Beacon 
TIME SAVER INDUSTRIES

PO BOX 16, BEACON WA 6472
WEBSITE: www.scudagcem.com.au
E-MAIL: sales@scudagchem.com.au
Mobile: 0428 861 119

DESCRIPTION
I240 Innoculator Assembly

PART NUMBER
I240V-I100E170

DO NOT SCALE DRAWING

SHEET 1 OF 10

D

C

B

A

6

5

4

3

2

1

D

C

B

A

6

5

4

3

2

1